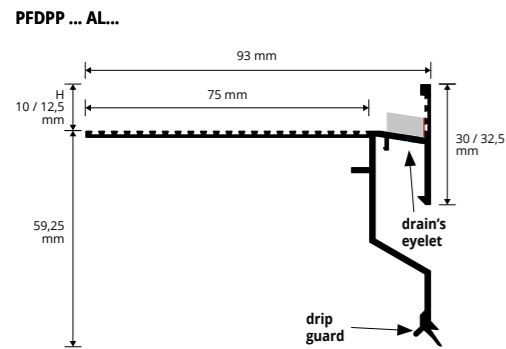


KAUFMANN HOUSE, "FALLINGWATER", 1939
Frank L. Wright

PROTERRACE DRAIN DRIP

VARNISHED/COATED ALUMINIUM



VARNISHED/COATED ALUMINIUM
bar length 2,7 lm - pack 5 Pcs - 13,5 lm

Article	H mm	€/lm	€/Pc
PFDPP 10AL...	10	28,79	77,73
PFDPP 125AL...	12,5	29,82	80,51

Available in the colours: BF - GF - A (EF - C - TF on demand). The code of the selected colour must be added to the article code.
E.g.: PFDPP 10 AL... (white) PFDPP 10 ALBF.

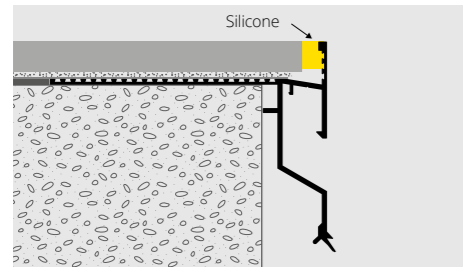
EMBOSSED COLOURS

BF - White (9010)	GF - Gray (7038)	A - Anthracite grey - (no RAL)
-------------------	------------------	--------------------------------

COLOURS ON DEMAND

EMBOSSED		
EF - Beige (1019)	C - Corten	TF - Dark brown (8019)

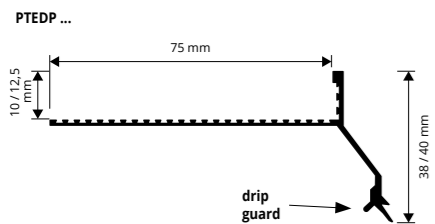
EXAMPLES AND INSTRUCTIONS FOR LAYING METHODS



1. Choose PROTERRACE DRAIN DRIP according to the tile thickness and desired colour.
2. Fix the external corners to the screed (at least 1 cm from it) with nails.
3. Fix the draining adhesive stripe in polyurethane on the vertical side of the profile.
4. Cut the PROTERRACE DRAIN FDP at desired length joining it to the corners using the linking elements and fix it with nails to the substrate.
5. Lay the desired waterproofing system.
6. Lay the tiles leaving at 5 mm between the tile and the profile.
7. Seal the space between tile and profile with PROBAND FIX.

PROTERRACE ECO DRIP

VARNISHED/COATED ALUMINIUM



VARNISHED/COATED ALUMINIUM
bar length 2,7 lm - pack 20 Pcs - 54 lm

Article	H mm	€/lm	€/Pc
PTEDP 10...	10	12,60	34,02
PTEDP 125...	12,5	13,60	36,72

Available in the colours: GF - A.
The code of the selected colour must be added to the article code.
E.g.: PTEDP 10... (gray) PTEDP 10GF.

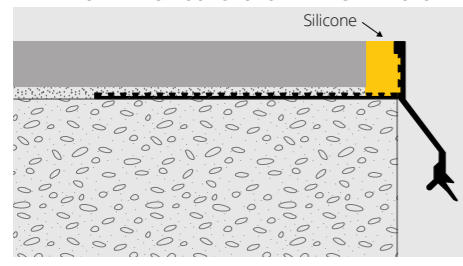
JOINTS - pack 2 / 10 Pcs

Article	€/pack. 2Pcs	€/pack. 10Pcs
GINEDP 10... /...	12,21	55,50
GINEDP 125... /...	13,09	59,50

EMBOSSED COLOURS

GF - Gray (7038)	A - Anthracite grey - (no RAL)
------------------	--------------------------------

EXAMPLES AND INSTRUCTIONS FOR LAYING METHODS



1. Choose "PROTERRACE ECO DRIP" according to the tile thickness.
2. Cut "PROTERRACE ECO DRIP" to the desired length and fix it to the support with nails.
3. Apply the desired waterproofing system, sealing the joint between profile and waterproofing.
4. Lay the tiles, leaving about 5 mm between tiles and profile.
5. Seal the space between tiles and profile using PROBAND FIX.

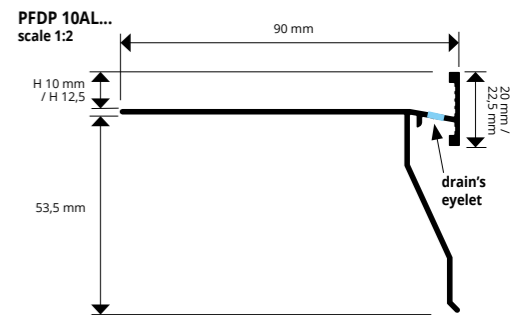
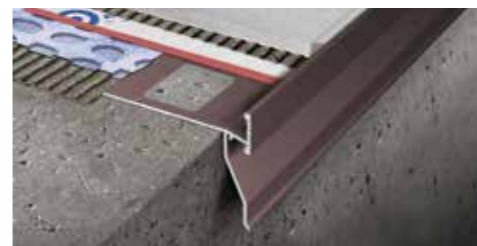
News 2019

* = Production on demand with minimum quantity of 100 pcs. Delivery time 4/5 weeks, price to agree

Prices are referred to whole packs, 10% increase for minimum orders of 10 pcs, 20% increase for orders of less than 10 pcs.

PROTERRACE DRAIN FDP

VARNISHED/COATED ALUMINIUM



VARNISHED/COATED ALUMINIUM
bar length 2,7 lm - pack 5 Pcs - 13,5 lm

Article	H mm	€/lm	€/Pc
PFDPP 10AL...	10	26,27	70,93
PFDPP 125AL...	12,5	26,68	72,04

Available in the colours: BF - GF - A (EF - C - TF - B - G - T - E on demand). The code of the selected colour must be added to the article code.
E.g.: PFDPP 10 AL... (white) PFDPP 10 ALB.

EMBOSSED COLOURS

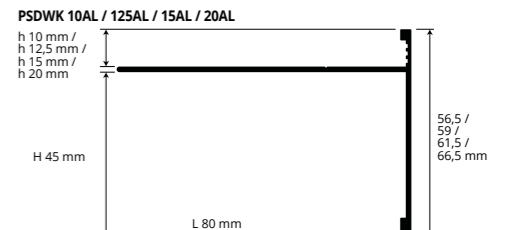
BF - White (9010)	GF - Gray (7038)	A - Anthracite grey - (no RAL)
-------------------	------------------	--------------------------------

COLOURS ON DEMAND

EMBOSSED		
EF - Beige (1019)	C - Corten	TF - Dark brown (8019)
SEMIGLOSSY		
B - White (9010)	G - Gray (7038)	T - Dark brown (8019)
E - Beige (1019)		

PROSIDE WALK

VARNISHED/COATED ALUMINIUM



VARNISHED EMBOSSED ALUMINIUM
bar length 2,7 lm - pack 20 Pcs - 54 lm

Article	h mm	H mm	L	€/lm	€/Pc
PSDWK 10AL...	10	45	80	16,74	45,20
PSDWK 125AL...	12,5	45	80	17,00	45,90
PSDWK 15AL...	15	45	80	17,25	46,58
PSDWK 20AL...	20	45	80	18,25	49,28

EMBOSSED COLOURS

A - Anthracite grey - (no RAL)	GF - Gray (7038)
--------------------------------	------------------

EMBOSSED COLOURS ON DEMAND

BF - White (9010)	TF - Dark brown (8019)	C - Corten
EF - Beige (1019)		

News 2019

* = Production on demand with minimum quantity of 100 pcs. Delivery time 4/5 weeks, price to agree

Prices are referred to whole packs, 10% increase for minimum orders of 10 pcs, 20% increase for orders of less than 10 pcs.

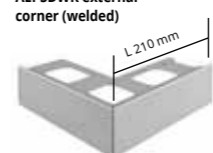
EXTERNAL CORNERS - pack 10 Pcs

Article	h mm	H mm	L	€/Pc	€/Pack.
AEPSDWK 10AL...	10	45	80	18,03	180,30
AEPSDWK 125AL...	12,5	45	80	18,54	185,40
AEPSDWK 15AL...	15	45	80	19,57	195,70
AEPSDWK 20AL...	20	45	80	21,05	210,50

JOINTS - pack 10 Pcs

Article	€/Pc	€/Pack.
GINSDWK 10AL...	5,15	51,50
GINSDWK 125AL...	5,15	51,50
GINSDWK 15AL...	5,15	51,50
GINSDWK 20AL...	5,15	51,50

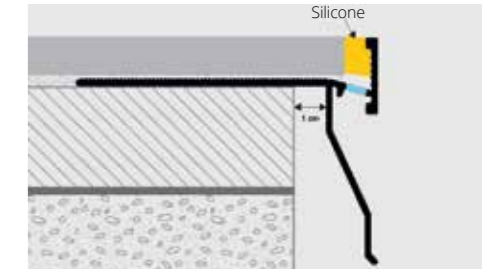
AEPSDWK external corner (welded)



GINSDWK joint

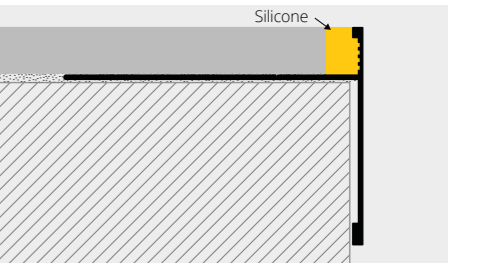


EXAMPLES AND INSTRUCTIONS FOR LAYING METHODS



1. Choose PROTERRACE DRAIN FDP according to the tile thickness and desired colour.
2. Fix the external corners to the screed with nails taking care to separate them at least 1 cm from it.
3. Cut "PROTERRACE DRAIN FDP" to the desired length. Lay the profile and fix it with nails. Connect it with the corners using the junctions.
4. Apply the desired waterproofing system.
5. Lay the tiles, leaving about 5 mm between tiles and profile.
6. Seal the space between tiles and profile with PROBAND FIX.

EXAMPLES AND INSTRUCTIONS FOR LAYING METHODS

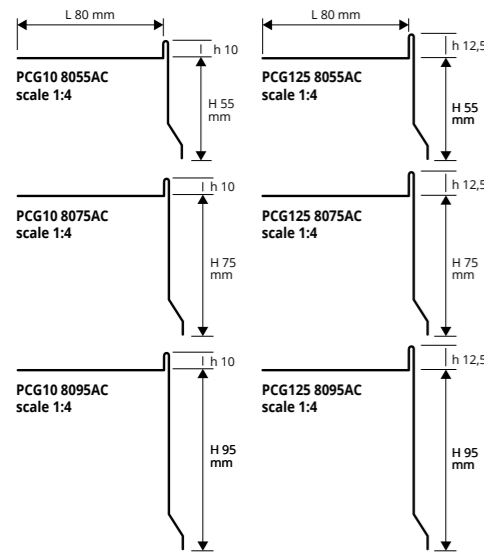


1. Choose PROSIDE WALK according to the tile thickness and desired colour.
2. Waterproof with PROBAND 150 and PROBAND KOLL the front of the screed.
3. Fix the external corners with nails.
4. Cut PROSIDE WALK to the desired length and fix it with nails; connect it with the corners using the junction element.
5. Lay the tiles, leaving about 5 mm between tiles and profile.
6. Seal the space between tiles and profile with PROBAND FIX.

PROTERRACE PCG

STAINLESS STEEL AISI 304/1.4301-V2A

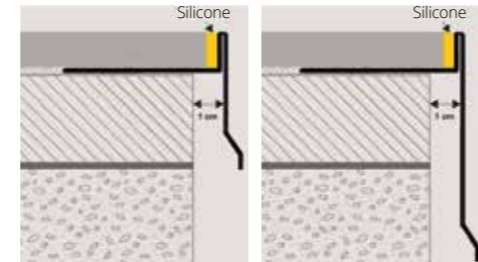
PROTERRACE PCG is an edging profile in polished stainless steel INOX AISI 304/1.4301-V2A designed to protect the edges of the tiles laid on terraces and balconies and to allow a correct water discharge. The profile is equipped with a punched flange that ensures its fixing to the support. The flange is also provided with small holes that allow the momentary fixing of the profile with nails. The availability of special pieces such as external corners and junctions make PROTERRACE PCG a much sought after and easy to lay profile.



POLISHED STAINLESS STEEL AISI 304/1.4301-V2A with protective film
bar length 2,7 lm - pack 5 Pcs - 13,5 lm (H 55 mm - 18,9 lm)

Article	h x H x L mm	€/lm	€/Pc
PCG10 8055AC	10 x 55 x 80	28,51	76,98
PCG10 8075AC	10 x 75 x 80	31,63	85,40
PCG10 8095AC	10 x 95 x 80	35,43	95,66
PCG125 8055AC	12,5 x 55 x 80	28,77	77,68
PCG125 8075AC	12,5 x 75 x 80	31,95	86,27
PCG125 8095AC	12,5 x 95 x 80	35,55	95,99

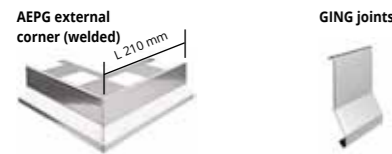
EXAMPLES AND INSTRUCTIONS FOR LAYING METHODS



1. Choose "PROTERRACE PCG" according to the tile thickness.
2. Fix the external corners to the screed with nails taking care to separate them at least 1 cm from it.
3. Cut "PROTERRACE PCG" to the desired length. Lay the profile and fix it with nails. Connect it with the corners using the junctions.
4. Apply the desired waterproofing system.
5. Lay the tiles, leaving about 5 mm between tiles and profile.
6. Seal the space between tiles and profile with PROBAND FIX.

EXTERNAL CORNERS and JOINTS

POLISHED STAINLESS STEEL AISI 304/1.4301-V2A



EXTERNAL CORNERS - pack 10 Pcs

Article	€/Pc	€/Pack.
AEPG10 55AC/75AC/95AC	39,35	393,50
AEPG125 55AC/75AC/95AC	39,35	393,50

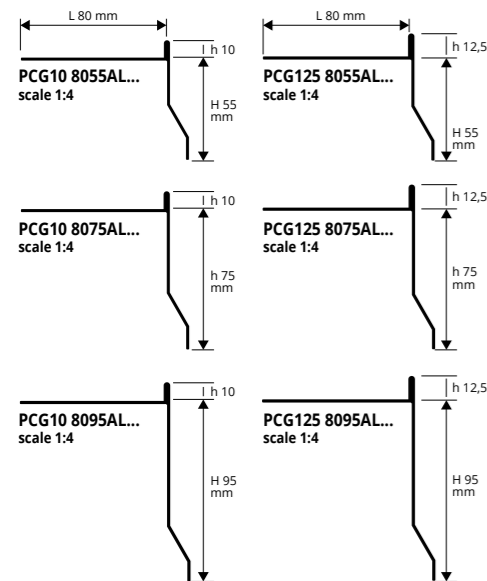
JOINTS - pack 10 Pcs

Article	€/Pc	€/Pack.
GING10 55AC/75AC/95AC	6,29	62,90
GING125 55AC/75AC/95AC	6,29	62,90

PROTERRACE PCG

VARNISHED/COATED ALUMINIUM

PROTERRACE PCG is an edging profile in varnished aluminium designed to protect the edges of the tiles laid on terraces and balconies and to allow a correct water discharge. The profile is equipped with a punched flange that ensures its fixing to the support. The front side of the profile protects the tile edges and is equipped with grooves that facilitate the grout grip. Thanks to its ease of application PROTERRACE PCG is a much sought after and easy to lay profile.

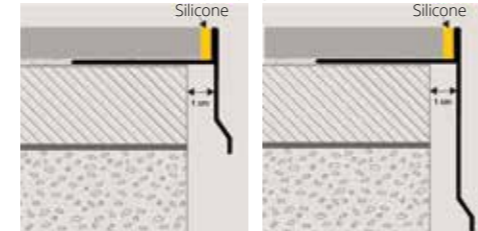


VARNISHED/COATED ALUMINIUM
bar length 2,7 lm - pack 5 Pcs - 13,5 lm (H 55 mm - 18,9 lm)

Article	h x H x L mm	€/lm	€/Pc
PCG10 8055AL...	10 x 55 x 80	18,14	48,98
PCG10 8075AL...	10 x 75 x 80	20,63	55,70
PCG10 8095AL...	10 x 95 x 80	23,59	63,69
PCG125 8055AL...	12,5 x 55 x 80	18,14	48,98
PCG125 8075AL...	12,5 x 75 x 80	20,63	55,70
PCG125 8095AL...	12,5 x 95 x 80	23,59	63,69

Available in the colours: BF - GF - A (EF - C - TF - B - G - T - E on demand). The code of the selected colour must be added to the article code. E.g.: PCG10 8055AL... (white) PCG10 8055ALB.

EXEMPLES OF LAYING (for laying instructions, see above)



EMBOSSSED COLOURS

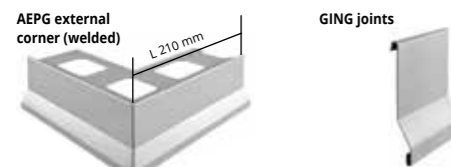
Article	Color
BF - White (9010)	White
GF - Gray (7038)	Gray
A - Anthracite grey (no RAL)	Anthracite grey

* COLOURS ON DEMAND

EMBOSSSED		
EF - Beige (1019)	C - Corten	TF - Dark brown (8019)
SEMIGLOSSY		
B - White (9010)	G - Gray (7038)	T - Dark brown (8019)
E - Beige (1019)		

EXTERNAL CORNERS and JOINTS

VARNISHED/COATED ALUMINIUM



EXTERNAL CORNERS - pack 10 Pcs

Article	€/Pc	€/Pack.
AEPG10 55AL.../75AL.../95AL...	25,71	257,10
AEPG125 55AL.../75AL.../95AL...	25,71	257,10

JOINTS - pack 10 Pcs

Article	€/Pc	€/Pack.
GING10 55AL.../75AL.../95AL...	5,08	50,80
GING125 55AL.../75AL.../95AL...	5,08	50,80

The code of the selected colour must be added to the article code. E.g.: AEPG10 55AL... (white) AEPG10 55ALB.

* = Production on demand with minimum quantity of 100 pcs. Delivery time 4/5 weeks, price to agree

Prices are referred to whole packs, 10% increase for minimum orders of 10 pcs, 20% increase for orders of less than 10 pcs.

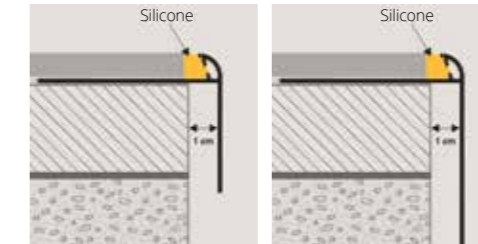
PROTERRACE PCJ is an edging profile in varnished aluminium designed to protect the screed and the edges of the tiles laid on terraces and balconies. The profile is equipped with a punched flange that ensures its fixing to the support. The flange is also provided with small holes with a diameter of 2.5 mm that allow the momentary fixing of the profile with nails. The availability of special pieces such as external corners and junctions make PROTERRACE PCJ a much sought after and easy to lay profile.

PROTERRACE PCJ

VARNISHED/COATED ALUMINIUM



EXAMPLES AND INSTRUCTIONS FOR LAYING METHODS



VARNISHED/COATED ALUMINIUM - bar length 2,7 lm
pack 7 Pcs 18,9 lm (H 75 mm - 13,5 lm - H 95 mm - 5,4 lm)

Article	h x H x L mm	€/lm	€/Pc
PCJ10 8055AL...	10 x 55 x 80	18,19	49,11
PCJ10 8075AL...	10 x 75 x 80	20,58	55,57
PCJ10 8095AL...	10 x 95 x 80	23,48	63,40
PCJ125 8055AL...	12,5 x 55 x 80	18,30	49,41
PCJ125 8075AL...	12,5 x 75 x 80	20,68	55,84
PCJ125 8095AL...	12,5 x 95 x 80	23,59	63,69

1. Choose "PROTERRACE PCJ" according to the tile thickness and desired colour.
2. Fix the external corners to the screed with nails taking care to separate them at least 1 cm from it.
3. Cut "PROTERRACE PCJ" to the desired length. Lay the profile and fix it with nails. Connect it with the corners using the junctions.
4. Apply the desired waterproofing system.
5. Lay the tiles, leaving about 5 mm between tiles and profile.
6. Seal the space between tiles and profile with PROBAND FIX.

EMBOSSSED COLOURS

Article	Color
BF - White (9010)	White
GF - Gray (7038)	Gray
A - Anthracite grey (no RAL)	Anthracite grey

* COLOURS ON DEMAND

EMBOSSSED		
EF - Beige (1019)	C - Corten	TF - Dark brown (8019)
SEMIGLOSSY		
B - White (9010)	G - Gray (7038)	T - Dark brown (8019)
E - Beige (1019)		

Available in the colours: BF - GF - A (EF - C - TF - B - G - T - E on demand). The code of the selected colour must be added to the article code. E.g.: PCJ10 8055AL... (white) PCJ10 8055ALB.

EXTERNAL CORNERS and JOINTS

VARNISHED/COATED ALUMINIUM

EXTERNAL CORNERS - pack 10 Pcs

Article	€/Pc	€/Pack.
AEPJ10 55AL.../75AL.../95AL...	25,91	259,10
AEPJ125 55AL.../75AL.../95AL...	25,91	259,10

JOINTS - pack 10 Pcs

Article	€/Pc	€/Pack.
GINJ10 55AL.../75AL.../95AL...	5,08	50,80
GINJ125 55AL.../75AL.../95AL...	5,08	50,80

Available in the colours: BF - GF - A (EF - C - TF - B - G - T - E on demand). The code of the selected colour must be added to the article code. E.g.: AEPJ10 55AL... (white) AEPJ10 55ALB.

PROTERRACE ECO is a natural aluminium edging profile designed to protect the edges of the tiles laid on terraces and balconies. The profile is provided with a punched flange that ensures its fixing to the support. The front side of the profile protects the tile edges and is equipped with grooves that facilitate the grout grip. Thanks to its ease of application PROTERRACE ECO is a much sought after profile.



NATURAL ALUMINIUM thermo packed

Article	H mm	€/lm	€/Pc
PTEE 10AN	10	4,84	13,07
PTEE 125AN	12,5	5,41	14,61

SILVER ANODIZED ALUMINIUM thermo packed

Article	H mm	€/lm	€/Pc
PTEE 10AA	10	5,72	15,44
PTEE 125AA	12,5	6,28	16,96

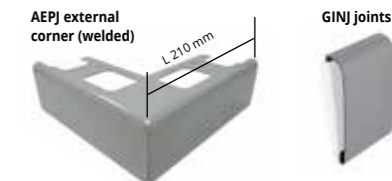
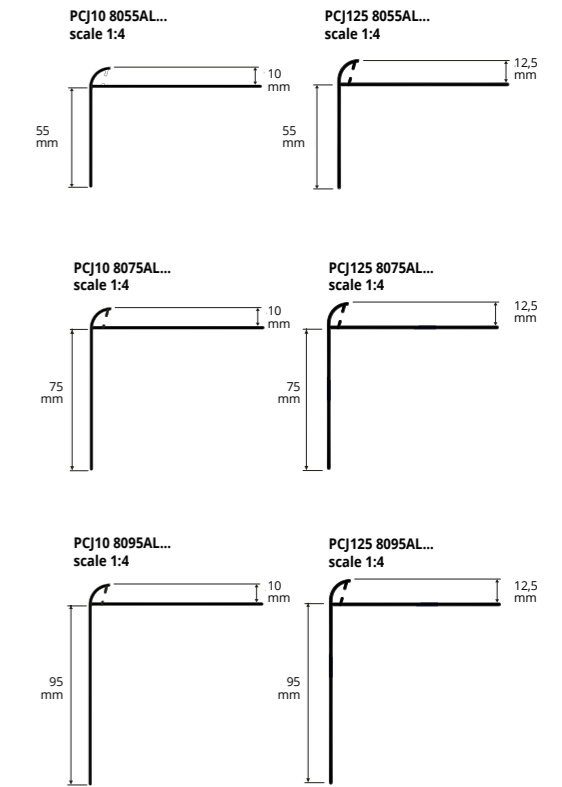
ARTICLES NOT FOR SALE SINGLY

COLOURS

Article	Color
AN - Natural aluminium	Natural aluminium
AA - Anodized silver alum.	Anodized silver alum.

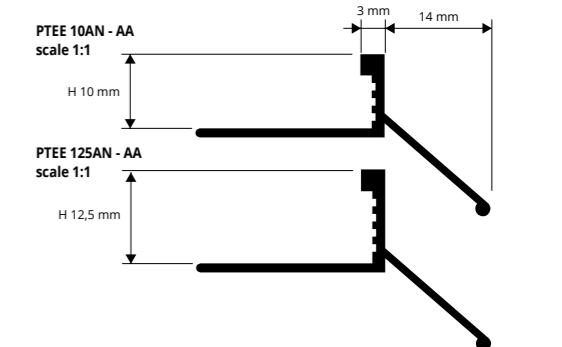
* = Production on demand with minimum quantity of 100 pcs. Delivery time 4/5 weeks, price to agree

Prices are referred to whole packs, 10% increase for minimum orders of 10 pcs, 20% increase for orders of less than 10 pcs.

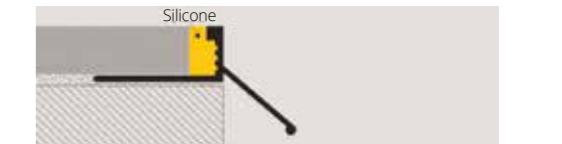


PROTERRACE ECO

ALUMINIUM



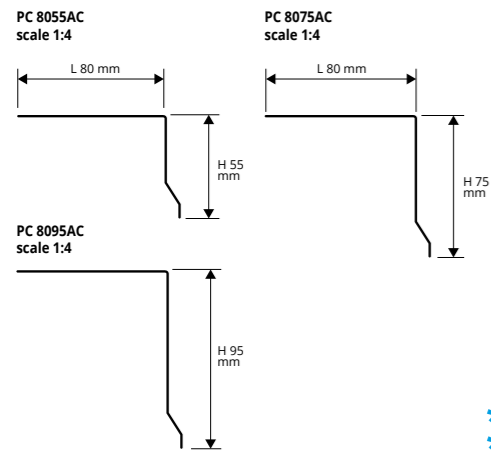
EXAMPLES AND INSTRUCTIONS FOR LAYING METHODS



1. Choose "PROTERRACE ECO" according to the tile thickness.
2. Cut "PROTERRACE ECO" to the desired length and fix it to the support with nails.
3. Apply the desired waterproofing system, sealing the joint between profile and waterproofing.
4. Lay the tiles, leaving about 5 mm between tiles and profile.
5. Seal the space between tiles and profile using PROBAND FIX.

PROTERRACE PC

STAINLESS STEEL AISI 304/1.4301-V2A



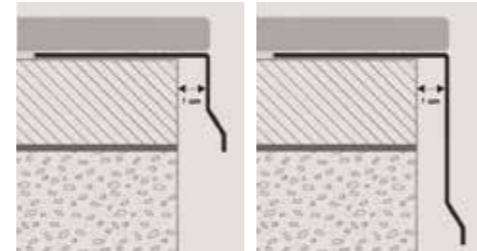
PROTERRACE PC is a perimeter profile in polished stainless steel inox aisi 304/1.4301-V2A designed to protect the screed on terraces and balconies and to allow a correct water discharge. The profile is equipped with a punched flange that ensures its fixing to the support. The flange is also provided with small holes that allow the momentary fixing of the profile with nails. The availability of special pieces such as external corners and junctions make **PROTERRACE PC** a much sought after and easy to lay profile.



POLISHED STAINLESS STEEL AISI 304/1.4301-V2A with protective film
bar length 2,7 lm - pack. 7 Pcs - 18,9 lm (H 75 mm - 13,5 lm - H 95 mm - 5,4 lm)

Article	L x H mm	€/lm	€/Pc
PC 8055AC	80 x 55	26,93	72,71
* PC 8075AC	80 x 75	29,93	80,81
* PC 8095AC	80 x 95	33,27	89,83

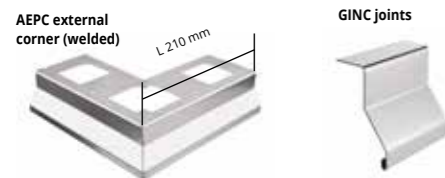
EXAMPLES AND INSTRUCTIONS FOR LAYING METHODS



1. Choose "PROTERRACE PC" according to the desired height.
2. Fix the external corners to the screed with nails taking care to separate them at least 1 cm from it.
3. Cut "PROTERRACE PC" to the desired length. Lay the profile and fix it with nails. Connect it with the corners using the junctions.
4. Apply the desired waterproofing system.
5. Lay the tiles.

EXTERNAL CORNERS and JOINTS

POLISHED STAINLESS STEEL AISI 304/1.4301-V2A



EXTERNAL CORNERS - pack. 10 Pcs

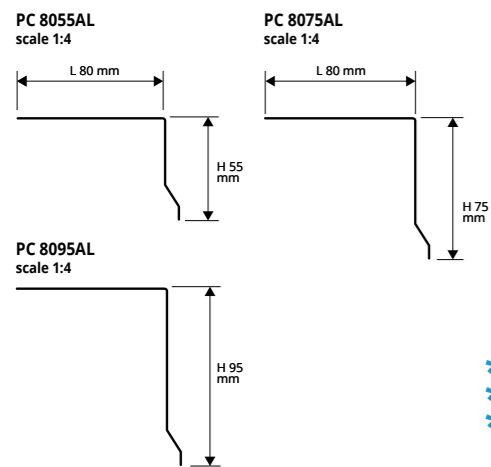
Article	€/Pc	€/Pack.
AEPC 55AC	39,21	392,10
AEPC 75AC	39,21	392,10
AEPC 95AC	39,21	392,10

JOINTS - pack. 10 Pcs

Article	€/Pc	€/Pack.
GINC 55AC	6,29	62,90
GINC 75AC	6,29	62,90
GINC 95AC	6,29	62,90

PROTERRACE PC

VARNISHED/COATED ALUMINIUM



VARNISHED/COATED ALUMINIUM - bar length 2,7 lm
pack. 7 Pcs - 18,9 lm (H 75 mm - 13,5 lm - H 95 mm - 5,4 lm)

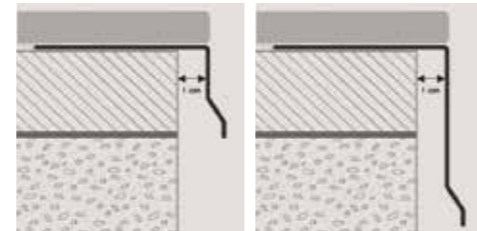
Article	L x H mm	€/lm	€/Pc
* PC 8055AL...	80 x 55	16,97	45,82
* PC 8075AL...	80 x 75	19,25	51,98
* PC 8095AL...	80 x 95	22,17	59,86

Available in the colours: BF - White (9010) - GF - Gray (7038) - A - Anthracite grey (no RAL) - E - Beige (1019) - G - Gray (7038) - T - Dark brown (8019)

*** SEMIGLOSSY COLOURS ON DEMAND**

B - White (9010)	G - Gray (7038)	T - Dark brown (8019)
E - Beige (1019)		

EXAMPLES AND INSTRUCTIONS FOR LAYING METHODS



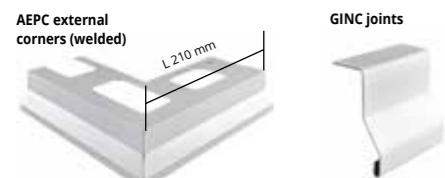
1. Choose "PROTERRACE PC" according to the desired colour and height.
2. Fix the external corners to the screed with nails taking care to separate them at least 1 cm from it.
3. Cut "PROTERRACE PC" to the desired length. Lay the profile and fix it with nails. Connect it with the corners using the junctions.
4. Apply the desired waterproofing system.
5. Lay the tiles.

*** EMBOSSED COLOURS ON DEMAND**

BF - White (9010)	GF - Gray (7038)	A - Anthracite grey (no RAL)
EF - Beige (1019)	C - Corten	TF - Dark brown (8019)

EXTERNAL CORNERS and JOINTS

VARNISHED/COATED ALUMINIUM



EXTERNAL CORNERS - pack. 10 Pcs

Article	€/Pc	€/Pack.
* AEPC 55AL...	26,02	260,20
* AEPC 75AL...	26,02	260,20
* AEPC 95AL...	26,02	260,20

JOINTS - pack. 10 Pcs

Article	€/Pc	€/Pack.
* GINC 55AL...	5,03	50,30
* GINC 75AL...	5,03	50,30
* GINC 95AL...	5,03	50,30

The code of the selected colour must be added to the article code. E.g.: AEPC 55AL... (white) AEPC 55ALB.

* = Production on demand with minimum quantity of 100 pcs. Delivery time 4/5 weeks, price to agree

Prices are referred to whole packs, 10% increase for minimum orders of 10 pcs, 20% increase for orders of less than 10 pcs.

PROTERRACE PTER is a perimeter profile in polished stainless steel inox aisi 304/1.4301-V2A designed to protect the screed on terraces and balconies. The profile is equipped with a punched flange that ensures its fixing to the support. The flange is also provided with small holes that allow the momentary fixing of the profile with nails. The availability of special pieces such as external corners and junctions make **PROTERRACE PTER** a much sought after and easy to lay profile.

PROTERRACE PTER

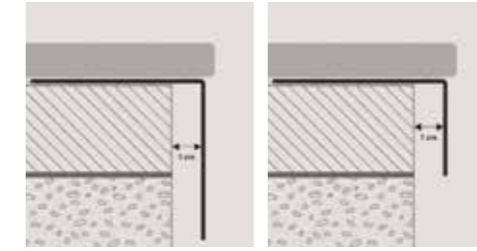
STAINLESS STEEL AISI 304/1.4301-V2A



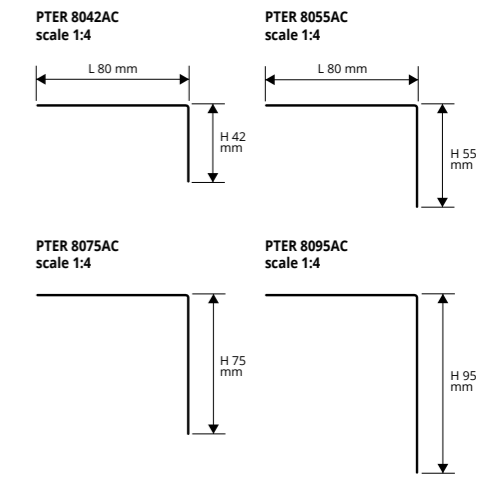
POLISHED STAINLESS ST. AISI 304/1.4301-V2A with protective film
bar length 2,7 lm - pack. 10 Pcs - 27 lm

Article	L x H mm	€/lm	€/Pc
* PTER 8042AC	80 x 42	23,19	62,61
* PTER 8055AC	80 x 55	25,15	67,91
* PTER 8075AC	80 x 75	28,49	76,92
* PTER 8095AC	80 x 95	32,68	88,24

EXAMPLES AND INSTRUCTIONS FOR LAYING METHODS



1. Choose "PROTERRACE PTER" according to the desired height.
2. Fix the external corners to the screed with nails taking care to separate them at least 1 cm from it.
3. Cut "PROTERRACE PTER" to the desired length. Lay the profile and fix it with nails. Connect it with the corners using the junctions.
4. Apply the desired waterproofing system.
5. Lay the tiles.



EXTERNAL CORNERS and JOINTS

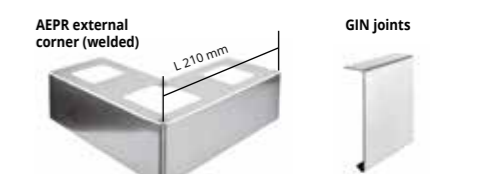
POLISHED STAINLESS STEEL AISI 304/1.4301-V2A

EXTERNAL CORNERS - pack. 10 Pcs

Article	€/Pc	€/Pack.
* AEPR 42AC	31,21	312,10
* AEPR 55AC	31,21	312,10
* AEPR 75AC	31,21	312,10
* AEPR 95AC	31,21	312,10

JOINTS - pack. 10 Pcs

Article	€/Pc	€/Pack.
* GIN 42AC	5,72	57,20
* GIN 55AC	5,72	57,20
* GIN 75AC	5,72	57,20
* GIN 95AC	5,72	57,20



PROTERRACE PTER is a perimeter profile in varnished aluminium designed to protect the screed on terraces and balconies. The profile is equipped with a punched flange that ensures its fixing to the support. The flange is also provided with small holes that allow the momentary fixing of the profile with nails. The availability of special pieces such as external corners and junctions make **PROTERRACE PTER** a much sought after and easy to lay profile.

PROTERRACE PTER

VARNISHED/COATED ALUMINIUM



VARNISHED/COATED ALUMINIUM - bar length 2,7 lm - pack. 20 Pcs - 54 lm

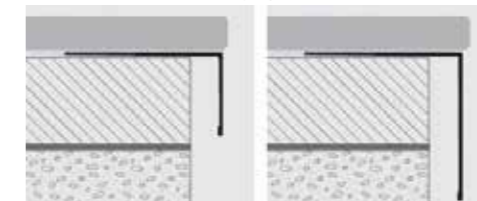
Article	L x H mm	€/lm	€/Pc
* PTER 8042AL...	80 x 42	13,33	35,99
* PTER 8055AL...	80 x 55	15,60	42,12
* PTER 8075AL...	80 x 75	17,88	48,28
* PTER 8095AL...	80 x 95	20,15	54,41

Available in the colours: BF - White (9010) - GF - Gray (7038) - A - Anthracite grey (no RAL) - E - Beige (1019) - G - Gray (7038) - T - Dark brown (8019)

*** SEMIGLOSSY COLOURS ON DEMAND**

B - White (9010)	G - Gray (7038)	T - Dark brown (8019)
E - Beige (1019)		

EXEMPLES OF LAYING (for laying instructions, see above)



*** EMBOSSED COLOURS ON DEMAND**

BF - White (9010)	GF - Gray (7038)	A - Anthracite grey (no RAL)
EF - Beige (1019)	C - Corten	TF - Dark brown (8019)

*** SEMIGLOSSY COLOURS ON DEMAND**

B - White (9010)	G - Gray (7038)	T - Dark brown (8019)
E - Beige (1019)		

EXTERNAL CORNERS and JOINTS

VARNISHED/COATED ALUMINIUM

EXTERNAL CORNERS - pack. 10 Pcs

Article	€/Pc	€/Pack.
* AEPR 42AL...	20,73	207,30
* AEPR 55AL...	20,73	207,30
* AEPR 75AL...	20,73	207,30
* AEPR 95AL...	20,73	207,30

JOINTS - pack. 10 Pcs

Article	€/Pc	€/Pack.
* GIN 42AL...	4,76	47,60
* GIN 55AL...	4,76	47,60
* GIN 75AL...	4,76	47,60
* GIN 95AL...	4,76	47,60

The code of the selected colour must be added to the article code. E.g.: AEPR 55AL... (white) AEPR 55ALB.

* = Production on demand with minimum quantity of 100 pcs. Delivery time 4/5 weeks, price to agree

Prices are referred to whole packs, 10% increase for minimum orders of 10 pcs, 20% increase for orders of less than 10 pcs.